

Motor Product Recommendation Information Sheet: Ball Screw Drive

Required Product ● Leave blank and send if you have no request. We will call you back.

- Induction Motor, Reversible Motor, Electromagnetic Brake Motor, etc.
 AC Speed Control Motor
 Speed Control Motor and Inverter Package
 Brushless Motor
 Stepping Motor

Drive Mechanism Specifications ● Leave blank and send if there is anything unclear. We will call you back.

- Mass of Loads (Table included).....

m	=	kg
-----	---	----
- Friction Coefficient of the Guide.....

μ	=	
-------	---	--
- Ball Screw Shaft Diameter

D_B	=	mm
-------	---	----
- Overall Length of Ball Screw

L_B	=	mm
-------	---	----
- Ball Screw Lead

P_B	=	mm/rev
-------	---	--------
- Ball Screw Efficiency

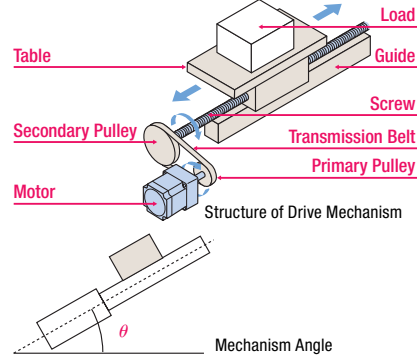
η_B	=	
----------	---	--
- Material of Ball Screw

Material:		
-----------	--	--
- Preload

F_O	=	N
-------	---	---
- Mechanism Inclination Angle

θ	=	deg
----------	---	-----
- External Force on Table.....

F_A	=	N
-------	---	---



Please indicate if using a connection belt pulley or gear. Not necessary if it's a direct connection.

- Primary Pulley Diameter and Mass ...

D_{P1}	=	mm
----------	---	----

m_{P1}	=	kg
----------	---	----

L_{P1}	=	mm
----------	---	----

Material:		
-----------	--	--

 - When the mass is unknown, please enter the width and material. →
- Secondary Pulley Diameter and Mass...

D_{P2}	=	mm
----------	---	----

m_{P2}	=	kg
----------	---	----

L_{P2}	=	mm
----------	---	----

Material:		
-----------	--	--

 - When the mass is unknown, please enter the width and material. →
- For motorized linear slides selection, please use the special sheet.

Operating Conditions ● Leave blank and send if there is anything unclear. We will call you back.

- Traveling Distance per Motion.....

	=	mm
--	---	----
- Positioning Time.....

t_0	=	s
-------	---	---
- Desired acceleration and deceleration time (if any) ...

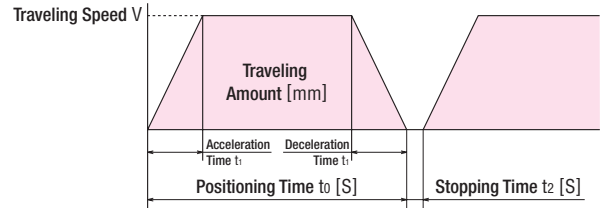
t_1	=	s
-------	---	---
- Stopping Time

t_2	=	s
-------	---	---
- Desired traveling speed (if any)

V	=	mm/s
-----	---	------
- Stopping Accuracy.....

\pm	=	mm
-------	---	----
- Power Supply Voltage

Phase	V ,	Hz
-------	-------	----



Customer Information

Date: Year ____ Month ____ Day ____

Company: _____	E-mail: _____
Department and Title: _____	Application: _____
Name: _____	Number of Units to be Used: _____ Unit(s)
Address: _____	Expected Purchasing Date: _____
TEL: _____ Extension: _____	Supply Source: _____
FAX: _____	Sales Branch: _____

Customer Support Centre ●For Singapore and other countries
 FAX: +65-6745-9405
 <http://www.orientalmotor.com.sg/>
 ●For Malaysia
 FAX: +60-3-2287-5528
 <http://www.orientalmotor.com.my/>
 ●For Thailand
 FAX: +66-2-251-1872
 <http://www.orientalmotor.co.th/>