

L Series Rack-and-Pinion Systems for Linear Motion Mechanism Challenges

Typical Linear Motion Mechanism Challenges

Increasing load mass is difficult when ball screws are used.

Ball screws and cams are difficult to obtain.

Wiring for sensors and other devices is complicated.

Improved equipment performance is desired.

L Series Rack-and-Pinion System is the Solution!



L Series AZ Series Horizontal (B type)

The rack-and-pinion mechanism is a linear motion mechanism that is superior to a ball screw mechanism in terms of thrust and stroke capabilities. The rack-and-pinion system combines a linear mechanism with a motor that is either ideal for positioning or speed control. The system is shipped with the mechanism and motor assembled, which eliminates parts ordering and assembly tasks.

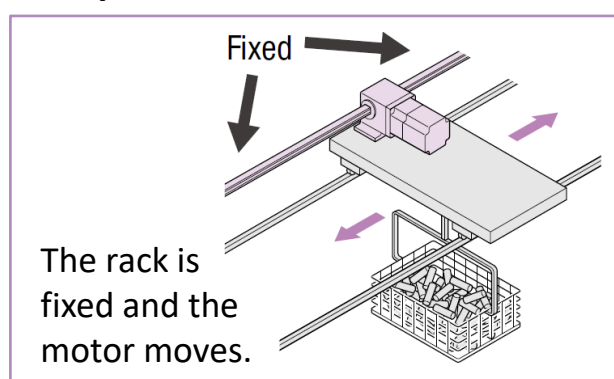
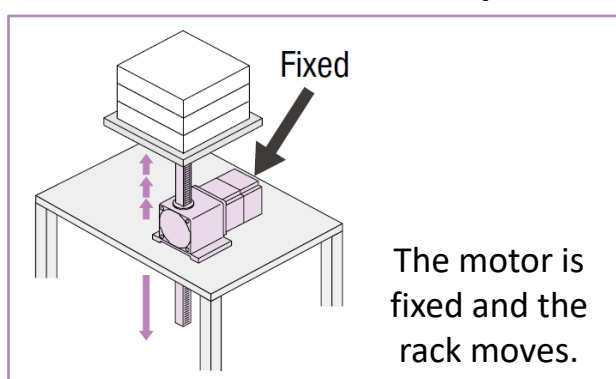


L Series AZ Series Vertical (F type)

Operation Examples:



Scan Price



Scan Price

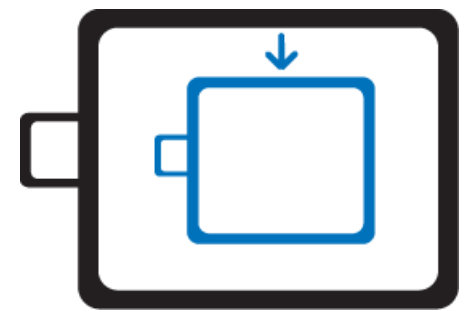
Function



High Precision Positioning



High Load



Compact



Brochure



Read More

UPCOMING EVENT

Orientalmotor

EVENTS SCHEDULE 2019/2020

SEMINAR 2019

06 NOV Hanoi Hotel, Vietnam

SEMINAR 2020

18 FEB Oriental Motor Sales Office, Singapore

For more information please contact us:

Tel: +65 6745 7344 or Email us: sales@orientalmotor.com.sg



CUSTOMER SERVICES

We're Online from Mon to Fri (9AM ~ 5PM SGT)



Live Chat



Showroom



Inspection & Repair



Technical Seminars

Check out our latest NEWSLETTERS!

For more information please contact us at : sales@orientalmotor.com.sg Tel : +65 6745 7344
WhatsApp: +65 9187 1994 Or check out our website at : www.orientalmotor.com.sg

